

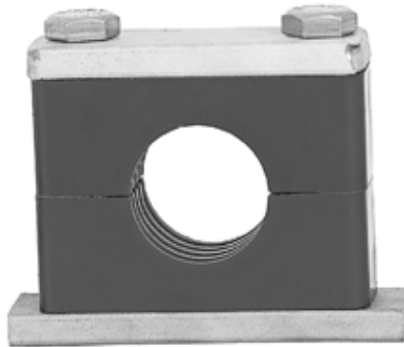


IC Hydraulic Pipe Retaining Clamps

to DIN 3015



Double Clamp



Heavy Duty Standard Clamp



Light Duty Standard Clamp

Material Options

Clamp bodies available in:

AL	Aluminium	up to 300°C
PP	Polypropylene	80°C
PA	Polyamide	120°C
SA	Santoprene	-40 to 150°C

Plates available in:

W1	Mild steel
W5	316 Stainless steel

Bolts available in:

W1	High tensile steel
W5	316 Stainless steel

Notes

- 1) All dimensions in mm unless otherwise stated.
- 2) All technical data subject to change.
- 3) Further accessories available on request.

Manufactured By:

International Clamps (Pty) Ltd.

Tel: (+27) (11) 809-6500 Fax: (+27) (11) 887-7458

PO Box 581, Bergvlei 2012, South Africa

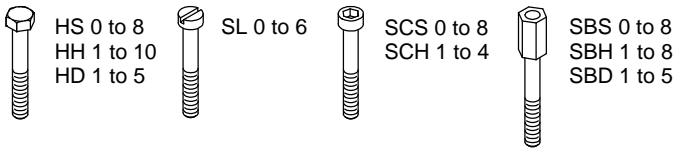
E-mail: norma@icclamps.co.za

Web Site: <http://www.icclamps.co.za>

Overview of Components

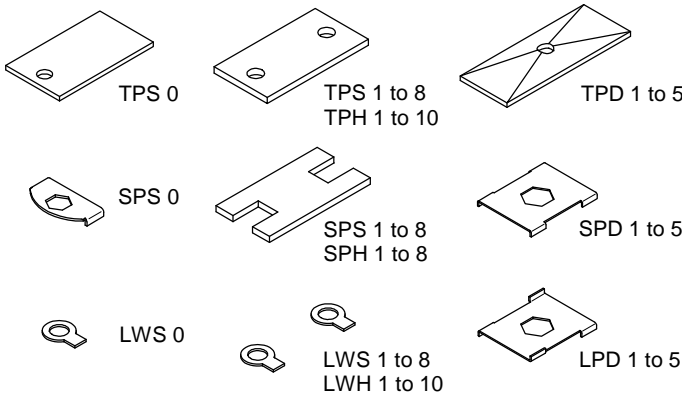
Series		
Light	Heavy	Double

BOLTS



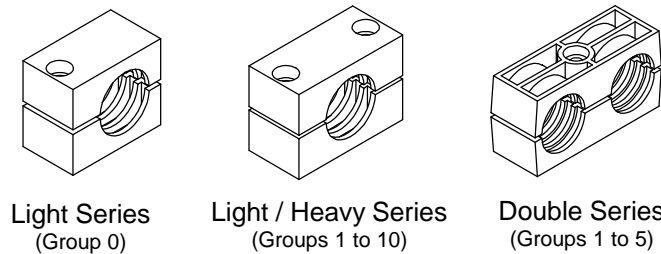
Hexagonal Head	HS	HH	HD
Slotted / Cheese Head	SL	-	-
Socket Cap Head	SCS	SCH	-
Stacking Bolt	SBS	SBH	SBD

PLATES



Top Plate	TPS	TPH	TPD
Stacking Plate	SPS	SPH	SPD
Locking Washer / Plate	LWS	LWH	LPD

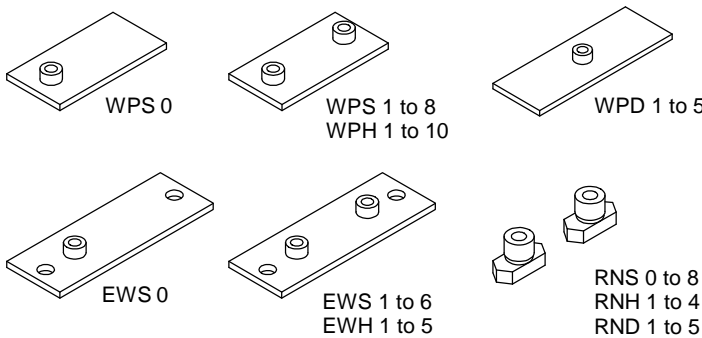
CLAMP BODY



Refer to table on page:	2	2	3
-------------------------	---	---	---

Clamp Bodies available with ribbed (standard) or smooth inside. Also available with smooth or ribbed rubber inserts

BASE



Weld Plate	WPS	WPH	WPD
Elongated Weld Plate	EWS	EWH	-
Rail Nuts	RNS	RNH	RND

NB: Order codes for components always refer to make-up for a complete clamp:

i.e. 2 clamp halves, or 2 bolts = one "clamp unit" **except for** group 0 light series and double series where 1 bolt = one "clamp unit"

Standard & Heavy Series Clamp Bodies

Table 1

Group	Light Body Part AL-PP-PA-SA	Pipe OD		ID Inch	Heavy Body Part AL-PP-PA-SA	Group
		Metric	Inch			
0	0006	6				1H
	0006.4		1/4"			
	0008	8				
	0009.5		3/8"			
	0010	10		1/8"		
	0012	12				
1	0106	6			1006	1H
	0106.4		1/4"		1006.4	
	0108	8			1008	
	0109.5		3/8"		1009.5	
	0110	10		1/8"	1010	
	0112	12			1012	
2	0212.7		1/2"		1012.7	1H
	0213.5	13.5		1/4"	1013.5	
	0214	14			1014	
	0215	15			1015	
	0216	16	5/8"		1016	
	0217.2	17.2		3/8"	1017.2	
	0218	18			1018	
3	0319		3/4"		2019	2H
	0320	20			2020	
	0321.3	21.3		1/2"	2021.3	
	0322	22	7/8"		2022	
	0325	25			2025	
4	0426.9	26.9		3/4"	2026.9	2H
	0428	28			2028	
	0430	30			2030	
5	-	30			3030	3H
	0532	32	1 1/4"		3032	
	0533.7	33.7		1"	3033.7	
	0535	35			3035	
	0538	38	1 1/2"		3038	
	0540	40			3040	
	0542	42		1 1/4"	3042	
6	-	44.5	1 3/4"		3044.5	3H
	-	38	1 1/2"		4038	
	-	42		1 1/4"	4042	
	0644.5		1 3/4"		4044.5	
	0648.3	48.3		1 1/2"	4048.3	
7	0650.8		2"		4050.8	4H
	-	55			4055	
	0757.2		2 1/4"		4057.2	
	-	60.3		2"	4060.3	
	-	63.5	2 1/2"		4063.5	
	-	65			4065	
	-	70			4070	
	0773	73	2 7/8"		-	
	0776.1	76.1	3"		-	

ID = Pipe inner diameter (Nominal Bore – NB)
OD = Pipe outer diameter

Pipe OD		ID Inch	Heavy Body Part AL-PP-PA-SA	Group
Metric	Inch			
65			5065	5H
70			5070	
73	2 7/8"		5073	
75			5075	
	3"		5076.1	
80			5080	
	3 1/4"		5082.5	6H
88.9		3"	5088.9	
88.9		3"	6088.9	
100			6100	
102		3 1/2"	6102	
	4 1/4"		6108	
114		4"	6114	7H
	5"		6127	
	5 1/4"		6133	
	5 1/4"		7133	
140		5"	7140	7H
	6"		7152	
168		6"	7168	8H
168		6"	8168	
	8 1/2"		8216	8H
219		8"	8219	
219		8"	9219	9H
240			9240	
267			9267	
273		10"	9273	
318			9318	
324		12"	9324	
357			10357	10H
406		16"	10406	

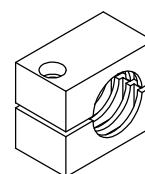
Ordering Clamp Bodies

Order Code = Material + Body Part.

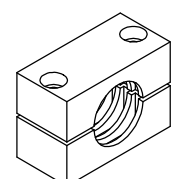
E.g. **PP 0006** Light Series, OD 6mm, Group 0 (single bolt), Material: PP (Polypropylene)

E.g. **AL 4070** Heavy Series, OD 70mm, Material: AL (Aluminium)

E.g. **PP 4070S** Heavy Series, OD 70mm, Material: PP (Aluminium), Smooth inside



Light Series
Clamp Body
(Group 0)



Light / Heavy Series
Clamp Body
(Groups 1 to 10)

Double Series Clamp Bodies

Table 2

Pipe OD		ID	Double	Group
Metric	Inch	Inch	Body Part AL-PP-PA-SA	SPD TPD WPD
6			D106	D1
	1/4"		D106.4	
8			D108	
	3/8"		D109.5	
10		1/8"	D110	
12			D112	
	1/2"		D212.7	D2
13.5		1/4"	D213.5	
14			D214	
15			D215	
16	5/8"		D216	
17.2		3/8"	D217.2	
18			D218	D3
	3/4"		D319	
20			D320	
21.3		1/2"	D321.3	
22	7/8"		D322	
25	1"		D325	D4
26.9		3/4"	D426.9	
28			D428	
30			D430	D5
	1 1/4"		D532	
35			D535	
38	1 1/2"		D538	
42		1 1/4"	D542	

OD = Pipe outer diameter

ID = Pipe inner diameter (Nominal Bore – NB)

Ordering Clamp Bodies

Order Code = Material + Body Part.

E.g. **PP D108** Double Series, OD 8mm, ribbed inside
Material: PP (Polypropylene)

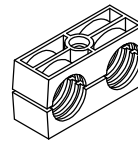
E.g. **PA D542** Double Series, OD 42mm, ribbed inside
Material: PA (Polyamide)

For smooth inside:

E.g. **PA D542S** Double Series, OD 42mm, smooth inside
Material: PA (Polyamide)

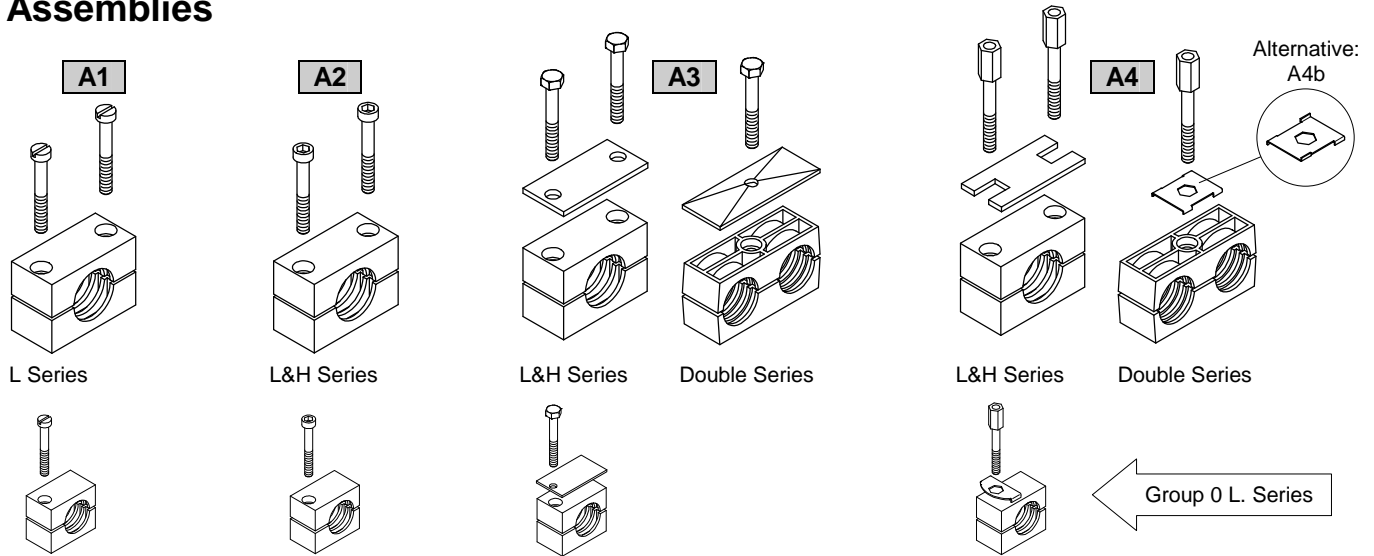
NB: Order codes for components always refer to make-up for a complete clamp:

i.e. 2 clamp halves, or 1 bolt = one "clamp unit"



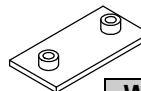
Double Series
Clamp Body

Assemblies



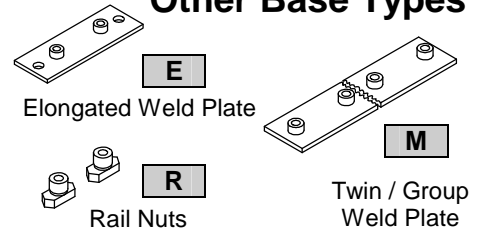
Complete Clamps

(Standard)

	W	
	WPS	Light Series
	WPH	Heavy Series
	WPD	Double Series
Weld Plate	W	

E	M	R
EWS	T/GWS	RNS
EWH	–	RNH
–	T/GWD	RND

Other Base Types



N.B. Complete clamps C include base W

N.B. Take type A1 to A4 and order base E, M or R separately.

Summary

Complete – with base W			Assemblies – no base				
C1	C2	C3	A1	A2	A3	A4	A4b
0 – 6	0 – 8	0 – 8	0 – 6	0 – 8	0 – 8	0 – 8	–
SL	SCS	HS	SL	SCS	HS	SBS	–
–	–	TPS	–	–	TPS	SPS	–
WPS	WPS	WPS	–	–	–	–	–
–	1 – 4	1 – 10	–	1 – 4	1 – 10	1 – 8	–
–	SCH	HH	–	SCH	HH	SBH	–
–	–	TPH	–	–	TPH	SPH	–
–	WPH	WPH	–	–	–	–	–
–	–	1 – 5	–	–	1 – 5	1 – 5	1 – 5
–	–	HD	–	–	HD	SBD	SBD
–	–	TPD	–	–	TPD	SPD	LPD
–	–	WPD	–	–	–	–	–

Ordering Complete Clamps

When ordering complete clamps please specify:

- 1) Complete type (C1 – C3).
- 2) Body material: PP, PA, AL or SA.
- 3) Body Part No.: refer to Table 1 or 2.
- 4) Steel material: W1 or W5.

Ordering Assemblies

When ordering assemblies please specify:

- 1) Assembly type (A1 – A4).
- 2) Body material: PP, PA, AL or SA.
- 3) Body Part No.: refer to Table 1 or 2.
- 4) Steel material: W1 or W5.
- 5) Base type: E, M or R (if required).

To order individual components refer to page 1