

MVE-FD “Flanged Drive”



**DESIGNED FOR
HORIZONTAL AND INCLINED
VIBRATING SCREENS**



EASY MAINTENANCE

Straightforward, intuitive design: by eliminating the requirements for hydraulic power and external drive units, removing the drive is quick and easy requiring only a few basic tools to unscrew the fastening bolts. Grease for life; easy change of the vibration intensity



QUICK INSTALLATION

“Plug & play” installation process compared to traditional drive systems: all the necessary drive components are already included inside the drive itself



BUILT TO LAST

The robust design and the first class materials ensure a long life

**VIBRATORS FOR
QUARRY & MINING,
RECYCLING**





MVE-FD 6 poles - 50Hz / 60Hz



Wm (KgCm)		Model		Size	Poles	Centrifugal Force Kg		rpm		Weight Kg		ELECTRIC FEATURES							
50Hz	60Hz	50 Hz	60 Hz			50Hz	60Hz	50Hz	60Hz	50Hz	60Hz	input power kW		Nominal Current A		Ia/In		Cable Gland	
												50Hz	60Hz	50Hz 400 V	60Hz 460 V	50Hz	60Hz		
												A max [Y]		A max [Y]					
805	654	MVE 4500/1N-FD-80AX A	MVE 5200/12N-FD-80AX A	80	6	4,501	5,264	1,000	1,200	205	200	3.6	4.3	7.5	7.5	4.5	4.3	M25	
959	805	MVE 5500/1N-FD-80AX A	MVE 6500/12N-FD-80AX A	80	6	5,361	6,481	1,000	1,200	243	231	5.8	6.9	12.0	12.0	5.5	5.3	M25	
1,518	1,058	MVE 8500/1N-FD-90BP A	MVE 8500/12N-FD-90BP A	90	6	8,480	8,511	1,000	1,200	334	330	6.1	6.4	14.0	12.7	6.4	6.4	M32	
1,870	1,518	MVE 10500/1N-FD-91BP A	MVE 12500/12N-FD-91BP A	91	6	10,447	12,212	1,000	1,200	408	387	6.4	7.7	13.0	14.5	5.8	6.4	M32	
2,218	-	MVE 12500/1N-FD-91BP A	-	91	6	12,391	-	1,000	-	437	-	8.0	-	17.2	-	6.2	-	M32	



MVE-FD 8 poles - 50Hz / 60Hz



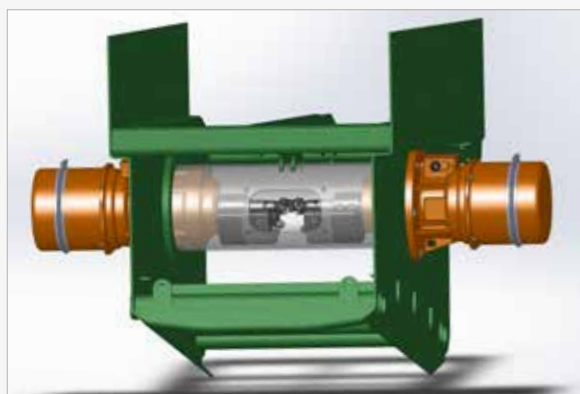
Wm (KgCm)		Model		Size	Poles	Centrifugal Force Kg		rpm		Weight Kg		ELECTRIC FEATURES							
50Hz	60Hz	50 Hz	60 Hz			50Hz	60Hz	50Hz	60Hz	50Hz	60Hz	input power kW		Nominal Current A		Ia/In		Cable Gland	
												50Hz	60Hz	50Hz 400 V	60Hz 460 V	50Hz	60Hz		
												A max [Y]		A max [Y]					
805	805	MVE 2600/075N-FD-80AX A	MVE 3700/090N-FD-80AX A	80	8	2,532	3,645	750	900	207	207	2.5	3.0	6.0	6.0	3.5	3.5	M25	
959	959	MVE 3000/075N-FD-80AX A	MVE 4400/090N-FD-80AX A	80	8	3,015	4,342	750	900	232	232	3.8	4.2	8.78	8.3	3.6	3.6	M25	
1,932	1,932	MVE 6000/075N-FD-90BP A	MVE 8700/090N-FD-90BP A	90	8	6,071	8,743	750	900	397	397	6.8	7.5	13.5	12.5	3.5	3.5	M32	
2,218	2,218	MVE 7000/075N-FD-91BP A	MVE 10000/090N-FD-91BP A	91	8	6,970	10,037	750	900	421	421	7.0	7.7	14.7	13.4	4.6	3.5	M32	

APPLICATIONS

The FD series have been designed to be used on horizontal, inclined, mobile or fixed vibrating screens. In fact, thanks to their design and performance they can be used on many applications.

LIST OF APPLICATIONS

- Circular / elliptical motion screen
- Circular motion inclined feeders
- Dewatering screen
- Scalping screen
- Vibrating machines and plants for aggregates, soil and minerals processing



Horizontal screen with two FD

DIMENSIONAL SPECIFICATIONS

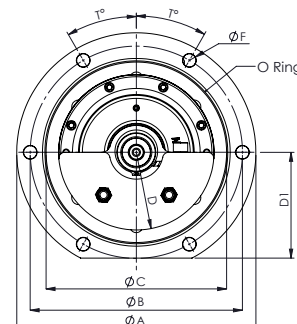
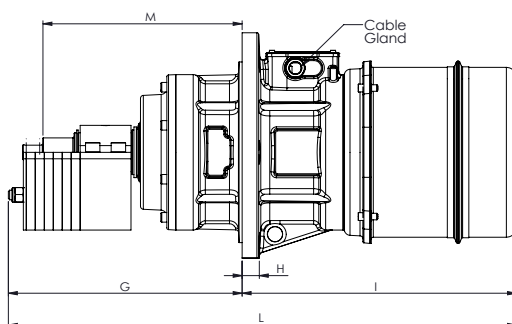


6 POLES		DIMENSIONAL SPECIFICATIONS (mm)																				
Model		Size	Holes	Ø A	Ø B	Ø C	D	Ø D1	T	Ø F	G		H	I	L		M	O Ring	Screw	Shaft Edge		
50 Hz	60 Hz										mm				mm						mm	
											50Hz	60Hz			50Hz	60Hz					50Hz	60Hz
MVE 4500/1N-FD-80AX A	MVE 5200/12N-FD-80AX A	80	6	400	355	302	130	177	30	22	399	389	28	501	900	890	333	41200	M20	a		
MVE 5500/1N-FD-80AX A	MVE 6500/12N-FD-80AX A	80	6	400	355	302	130	177	30	22	459	429	28	521	980	950	333	41200		a		
MVE 8500/1N-FD-90BP A	MVE 8500/12N-FD-90BP A	90	12	560	500	400	180	260	25/27	22	411	376	30	460	871	836	337	61600		b		
MVE 10500/1N-FD-91BP A	MVE 12500/12N-FD-91BP A	91	12	560	500	400	180	260	25/27	22	473.5	458	30	523	996	981	392	61600		b		
MVE 12500/1N-FD-91BP A	-	91	12	560	500	400	180	260	25/27	22	488.5	-	30	523	1,011	-	392	61600		b		

8 POLES		DIMENSIONAL SPECIFICATIONS (mm)																				
Model		Size	Holes	Ø A	Ø B	Ø C	D	Ø D1	T	Ø F	G		H	I	L		M	O Ring	Screw	Shaft Edge		
50 Hz	60 Hz										mm				mm						mm	
											50Hz	60Hz			50Hz	60Hz					50Hz	60Hz
MVE 2600/075N-FD-80AX A	MVE 3700/090N-FD-80AX A	80	6	400	355	302	130	177	30	22	399	28	501	900	333	41200	M20	a				
MVE 3000/075N-FD-80AX A	MVE 4400/090N-FD-80AX A	80	6	400	355	302	130	177	30	22	459	28	521	980	333	41200		a				
MVE 6000/075N-FD-90BP A	MVE 8700/090N-FD-90BP A	90	12	560	500	400	180	260	25/27	22	441	30	460	901	337	61600		b				
MVE 7000/075N-FD-91BP A	MVE 10000/090N-FD-91BP A	91	12	560	500	400	180	260	25/27	22	488	30	523	1,011	392	61600		b				

SHAFT EDGE

DIMENSIONAL SPECIFICATIONS (mm)			
Type	N	O	Ø P
a	34	8	25
b	36	12	40
Tolerances	± 0.2	H8	g6



ADVANTAGES

DRASTIC REDUCTION OF MAINTENANCE

Maintenance Free. The FD series is greased for life, so lubrication is no longer needed during maintenance.

PLUG & PLAY: EASY AND FAST

The installation of the motors on the application is very simple and fast : in case of extraordinary maintenance, downtime are reduced.

MODULARITY

The use of FD requires few structural elements : both the design phase and the realization of the plant are made simpler.

AN INFILTRATION-PROOF SYSTEM

The FD motors are IP66 : it means that in case you need to replace it, the operations can be performed directly on site without worrying about water infiltration and dust.

BUILT TO LAST

The FD series has been designed and built with the aim of reaching a life time of more than 20,000 hours, in any condition.

VERSATILE

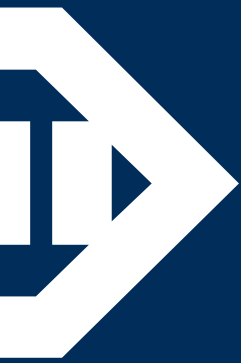
The FD Series can be used with inverters making it a versatile tool and able to meet all the screening requirements.

MVE-FD

PROBLEM SOLVING Avoids the use of through shafts with oil lubrication system.

FEATURES

INPUT VOLTAGE	400V (50Hz) or 460V (60Hz)
AMBIENT TEMPERATURE	-20 °C / + 40 °C
ENCLOSURE PROTECTION	IP 66
THERMAL PROTECTION	PTC Termistor 130 °C
INSULATION CLASS	F



WHEN YOU NEED IT, WHERE YOU NEED IT

THE WORLDWIDE LEADER IN VIBRATION TECHNOLOGY



OLI WORLDWIDE

OLI Australia	OLI Germany	OLI Nordic	OLI Turkey
OLI Benelux	OLI India	OLI Russia	OLI UK
OLI Brazil	OLI Italy	OLI South Africa	OLI USA
OLI China	OLI Malta	OLI Spain	
OLI France	OLI Middle East	OLI Thailand	



OLI Headquarters

Via Canalazzo, 35
41036 Medolla (MO) - Italy

+39 0535 41 06 11

info@olivibra.com

WWW.OLIVIBRA.COM